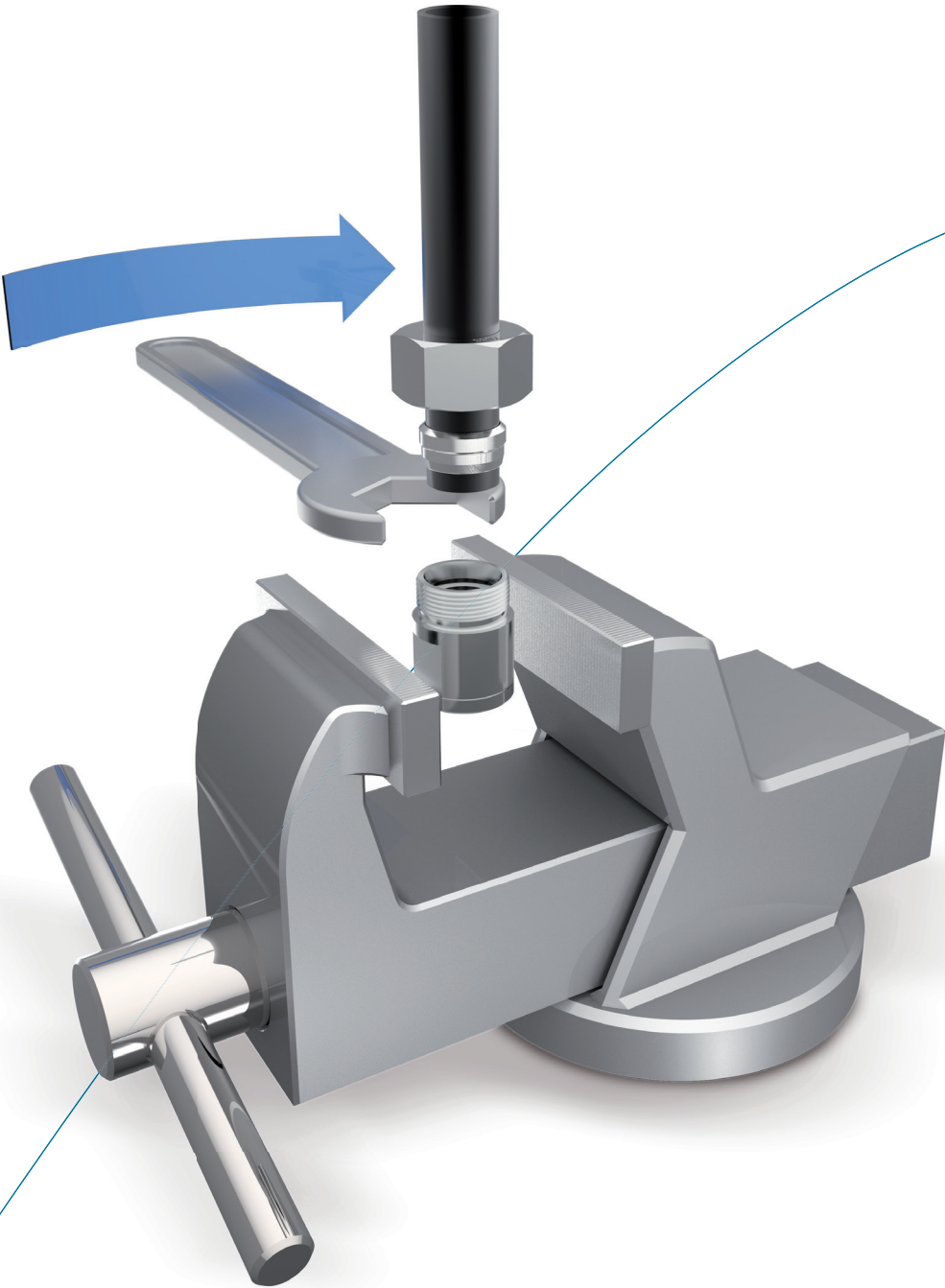


Assembly instructions



Important notes on VOSS assembly instructions

In order to ensure maximum performance and functional reliability of VOSS products, the respective assembly instructions, operating conditions and tube recommendations have to be adhered to.

We recommend that you use VOSS pre-assembly devices at all times. It is absolutely essential to follow the operating instructions for the respective pre-assembly device used.

Do not start with assembly until you are absolutely sure that you have understood the operating and assembly instructions for each VOSS pre-assembly device or machine, tool and product. Incorrect handling leads to risks regarding safety and leak-tightness and can result in failure of the entire connection.

It is impossible for the manufacturer to monitor whether the user is adhering to the operating and assembly instructions for individual pre-assembly devices or machines, tools and products, as well as what conditions prevail and what methods are used for installation, operation, application and maintenance of the individual products. Improper workmanship can lead to material damage, which in turn may pose a danger to life and limb. This means that VOSS Fluid GmbH can accept no responsibility or liability for loss, damage or costs incurred due to faulty installation, improper operation or incorrect application and maintenance or from any related issue. Failure to heed this warning will lead to loss of guarantee.

VOSS Fluid GmbH reserves the right to make changes or additions to the information provided without prior notification. Customers can obtain the latest version of the operating and assembly instructions upon request, or from our download area at: www.voss.net

General notes on VOSS assembly instructions

Make sure that all components, including the tubes, are clean before assembly is started and that they remain clean during the entire assembly process. Soiled components may lead to failure of the system.

Before starting assembly, make sure that you have carried out all preparatory work in accordance with the respective instructions.

Specifications concerning permissible steel tubes:

seamless, cold-drawn and normalized precision steel tubes as specified in DIN EN 10305-4, material E235+N, mat. no. 1.0308+N or E355, mat. no. 1.0580. The tubes must be ordered by specifying the outer diameter and the inner diameter.

Specifications concerning permissible stainless steel tubes:

seamless, cold-drawn and solution-annealed, scale-free stainless steel tubes in CFA or CFD delivery condition of dimensions and tolerances according to DIN EN 10305-1 and all other delivery conditions as specified in DIN EN 10216-5, material X6CrNiMoTi17-12-2, mat. no. 1.4571. The tubes must be ordered by specifying the outer diameter and the inner diameter.

The tubes should be prepared with the same thoroughness as pre-assembly and final assembly of the connection. Especially when using long tubes, check the end sections for damage or distortion.

We recommend that pre-assembled tubes which are not to be finally assembled yet should be fitted with protective caps.

Marking a stroke on the union nut and the tube makes it easier to achieve the correct number of turns when tightening the coupling.

Before starting to assemble VOSS components with elastomer seals, always check that:

- the nut and the seal surfaces are clean and undamaged and/or
- the elastomer sealing is clean and undamaged

Determining the tightening torque for screw couplings

The tightening torques specified in the catalogue apply under the following conditions:

- steel fittings with VOSS coat surface coating
- the specified nominal pressure ranges assume that the mating material has a tensile strength of $\geq 600 \text{ N/mm}^2$
- our recommendations on lubrication of the threaded studs are observed

If other values for strength, modulus of elasticity and friction-surface combinations are used, the user has to adapt the tightening torque empirically.

The recommended tightening torques have to be adhered to if the pressure range is to be fully utilized and the appropriate safety level is to be maintained.

The recommended tightening torques for the threads are given in the tables for the respective type of thread.

Explanation of symbols and other notes



Visual inspection



Turn until hand-tight or carry out another manual activity



Use the tool to tighten the coupling according to the instructions



Oil and lubricate at the point marked with an arrow

All dimensions in millimetres [mm]

Assembly instructions for ES-4VA tube couplings

1 Notes

Before starting the assembly work, read the general notes in the latest VOSS catalogue and check that your assembly instructions are up to date.

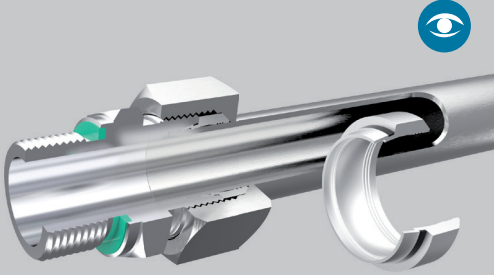
Toughened tools must be used to pre-assemble ES-4VA cutting rings.

These assembly instructions describe the pre-assembly in hardened pre-assembly studs.

We recommend that VOSS pre-assembly devices and tools are used for assembly at all times.

For use with stainless-steel tubes in accordance with VOSS specifications (see introduction to assembly instructions).

Attention!
Please note the recommendation on the use of tube supports made of material 1.4571 for thin-walled steel tubes.

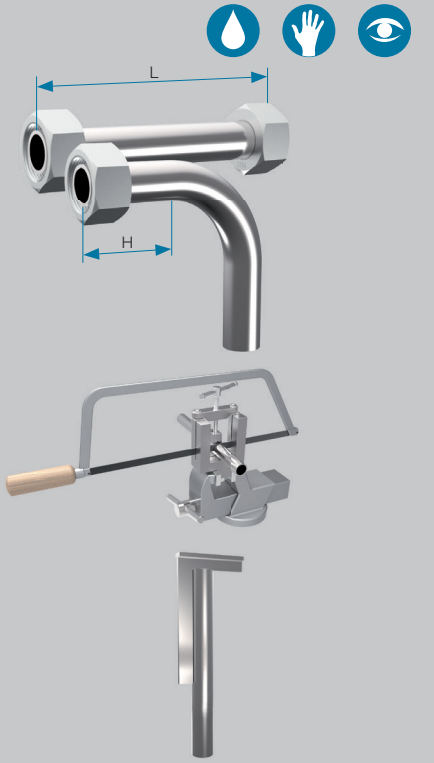


2 Tube preparation

2.1 The minimum dimensions of the straight tube ends must be taken into account for determining the tube lengths.

Series	Tube OD [mm]	H [mm]	L [mm]
L	6/8	31	39
L	10/12	33	42
L	15	36	45
L	18	38	48
L	22/28	42	53
L	35/42	48	60

Series	Tube OD [mm]	H [mm]	L [mm]
S	6/8	35	44
S	10/12	37	47
S	14/16	43	54
S	20	50	63
S	25	54	68
S	30	58	72
S	38	65	82



With machine pre-assembly, the minimum lengths are contained in the respective operating instructions of the pre-assembly devices.

ES-4VA

2.2 Saw tube off at right angles. An angle tolerance of $\pm 1^\circ$ is permissible. Do not use a rotary grinder or tube.

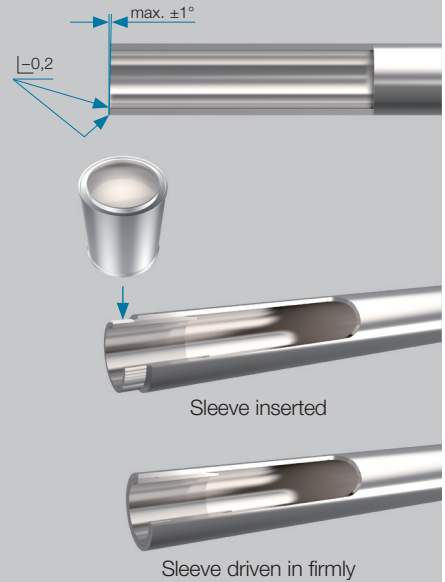
2.3 Slightly deburr tube ends inside and outside. Clean the tube.

Attention!

If tubes are not cut off squarely or are not properly deburred, this may reduce the service life and leak-tightness of the couplings.

2.4 Assembly of VOSS reinforcing sleeves

1. Lubricate the outside surface of the sleeve lightly using assembly paste (e.g. MPE assembly paste). Then insert the sleeve into the tube up to the knurled section.
2. Use a hammer (plastic or hard rubber) to drive the sleeve in totally. In doing so, the knurled section is pressed against the inner wall of the tube and prevents the sleeve from being displaced or falling out.



Series	Tube OD [mm]	Wall thickness [mm]						
		0.5	0.75	1	1.5	2	2.5	3
L	6	•	•					
L	8	•	•					
L	10	•	•					
L	12	•	•	•				
L	15	•	•	•				
L	18	•	•	•	•			
L	22	•	•	•	•	•		
L	28	•	•	•	•	•		
L	35	•	•	•	•	•	•	
L	42	•	•	•	•	•	•	
S	6	•	•					
S	8	•	•					
S	10	•	•					
S	12	•	•	•				
S	14	•	•	•				
S	16	•	•	•	•			
S	20	•	•	•	•	•		
S	25	•	•	•	•	•		
S	30	•	•	•	•	•	•	
S	38	•	•	•	•	•	•	•

ES-4VA

3

Assembly preparation

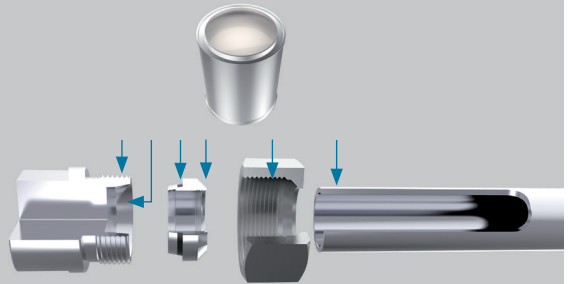


3.1 To ensure correct pre-assembly, lubricate the pre-assembly stud, tube end, cutting ring, union nut and the cone surface with assembly paste (e.g. MPE assembly paste).

3.2 Push the union nut and the ES-4VA cutting ring onto the tube end.

Attention!

Make sure that the ES-4VA cutting ring is in the right position.



4

Assembly instructions



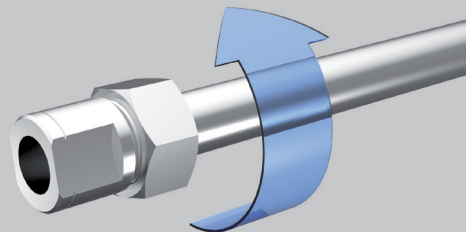
Hardened pre-assembly studs are wear-resistant, thus achieving consistent pre-assembly results. They have to be checked after approx. every 50 pre-assemblies for trueness of gauge.

Attention!

Pre-assembly studs that are not true to gauge or that are damaged in the taper section must be replaced immediately. All specified assembly distances must be adhered to. Otherwise there is a danger that the coupling will leak or that the tube will tear out of the coupling.

4.1 Insert the tube end into the 24° taper as far as it will go and press on it. The tube must be held in as far as it will go during the entire assembly process in order to avoid faulty assembly.

4.2 Push the pre-assembled tube end into the taper of the hardened manual pre-assembly die and turn the union nut until it is hand-tight.

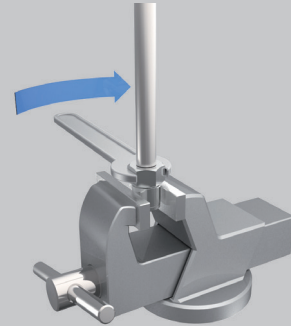


ES-4VA

4.3 Tighten union nut with approx. **1 1/4 turns** (min. 1 to max. 1 1/2 turns). This pushes the ES-4 cutting ring against the end face of the stud.

Note:

Marking a stroke on the union nut and the tube makes it easier to achieve the correct number of turns.



approx. 1 1/4 turns

5

Check results

5.1 Unscrew the union nut, check the moulded seal, gap width and how much material has been pushed up. It is not possible to cut and raise as much material of stainless-steel tubes as on normal steel tubes. However, a certain amount of raised material must be visible.

In this position, it is still permissible for the cutting ring to turn on the tube.

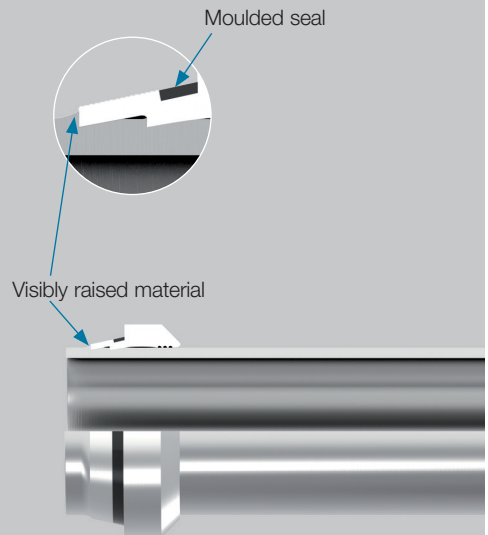
Attention!

The moulded seal must be undamaged. Remove possible soiling and replace the moulded seal if necessary.

If an inadequate amount of material is raised, repeat assembly with a higher torque. The results must be re-checked!

Note:

We recommend the use of the VOSS gauge to check the correct axial position of the cutting ring.



ES-4VA

6

Final assembly

6.1 Lubricate the thread, the pre-assembled tube end, the union nut and the taper lightly with assembly paste (e.g. MPE assembly paste).

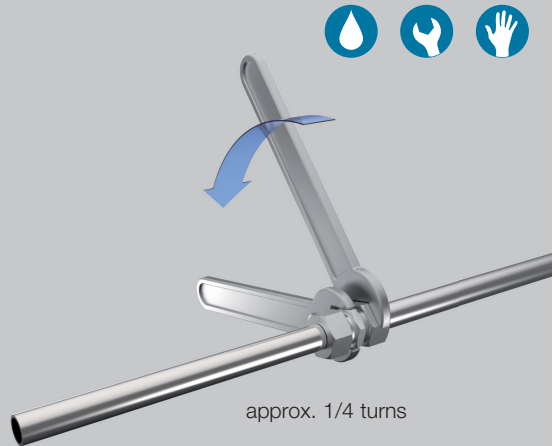
6.2 Insert the pre-assembled tube end carefully into the coupling connecting piece. When fitting the parts together, take care not to damage the moulded seal and ensure that it is seated in the seal groove correctly. Then turn the union nut until it is hand-tight.

6.3 Use a spanner to tighten the union nut until there is a noticeable force increase.

6.4 Tighten up further by approximately **1/4 turns**.

Attention!

When finally tightening up the coupling connecting piece, always hold it in a spanner or clamp it in a vise.



7

Repeat assembly

7.1 Each time the tube coupling is unscrewed, the moulded seal must be checked for damage and replaced if necessary.

7.2 For repeat assembly, the union nut must be tightened using the same force as for the original assembly.

